




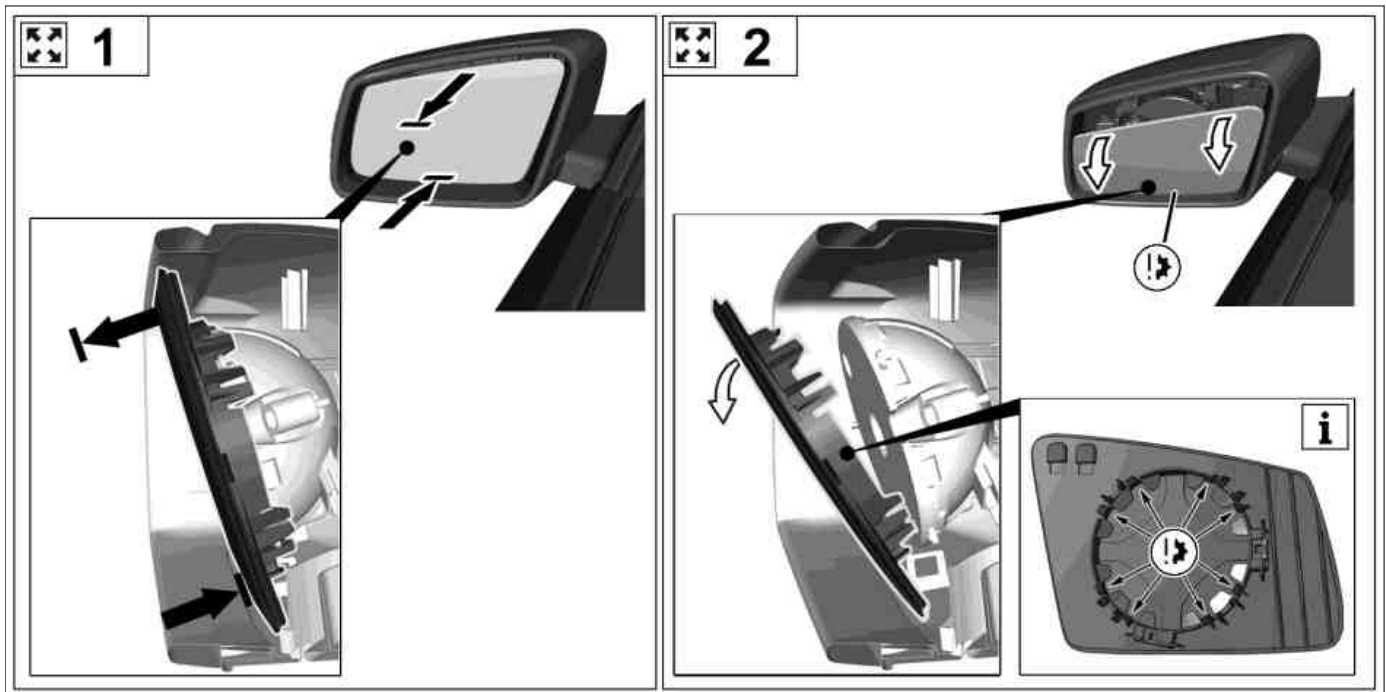
MODEL 204
MODEL 203.7## #E with CODE (809) Model year 2009
MODEL 207
MODEL 212
MODEL 164, 251 as of model year 2011

⚠ Danger!		AS60.00-Z-0008-01R
⚡ OV		OV00.01-P-1901-07A

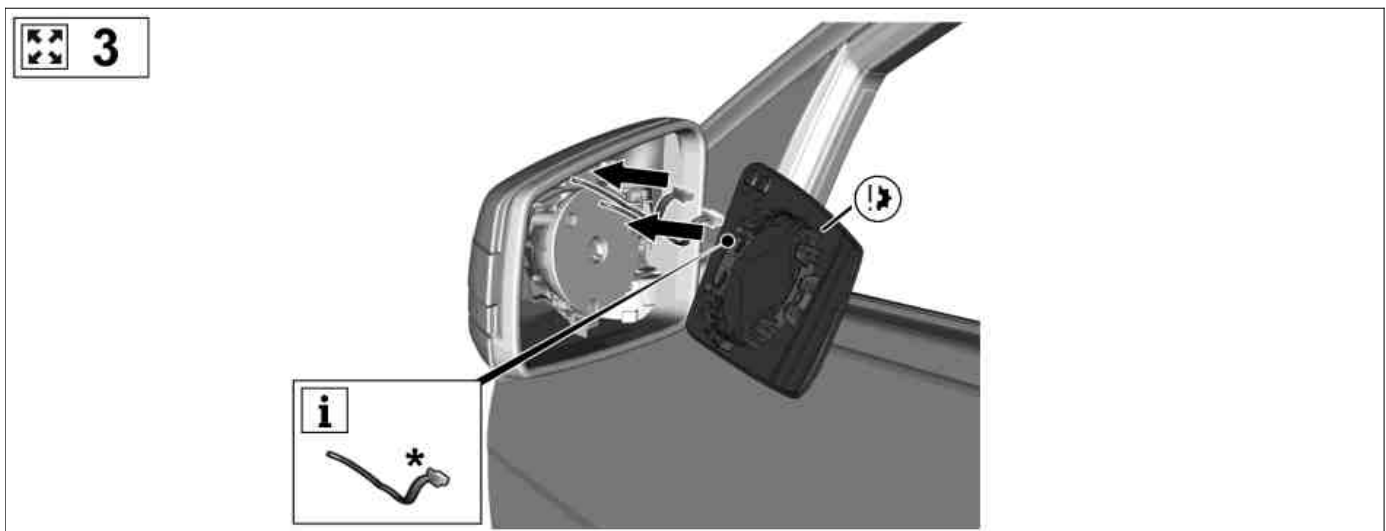
 **204**

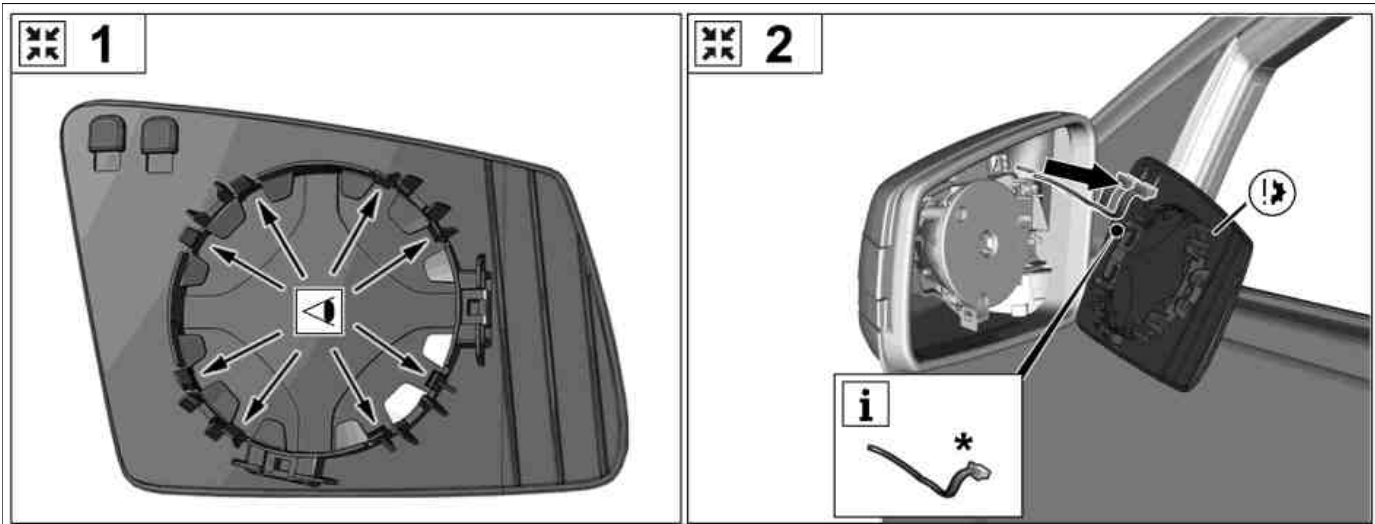
 

P88.70-2616-07

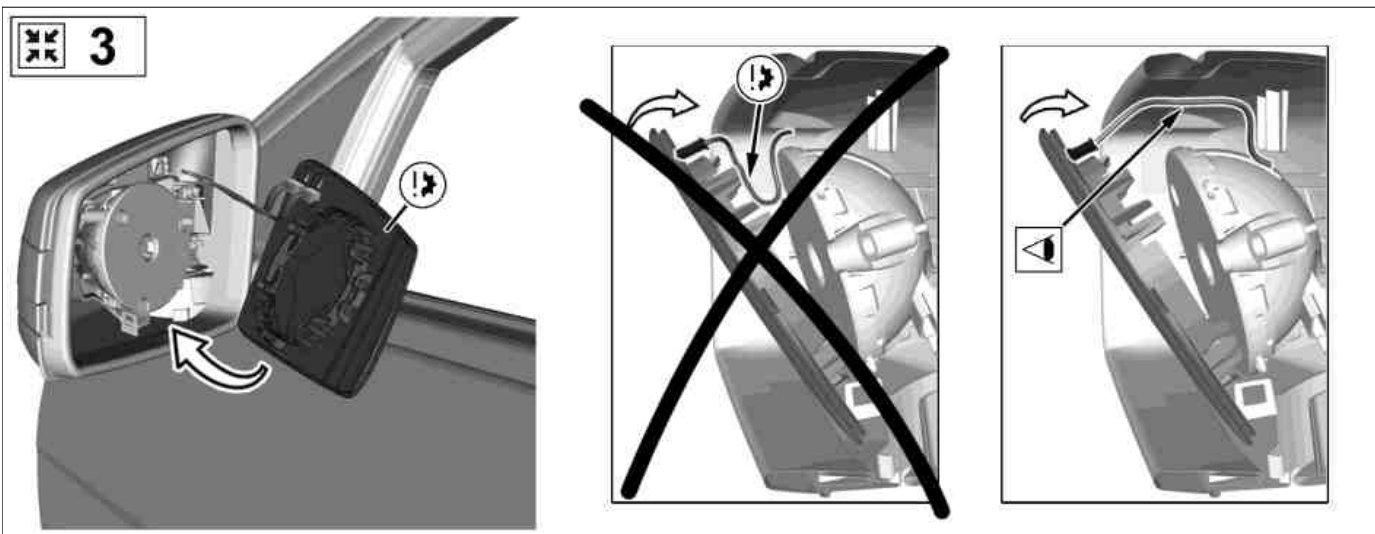


P88.70-2611-09

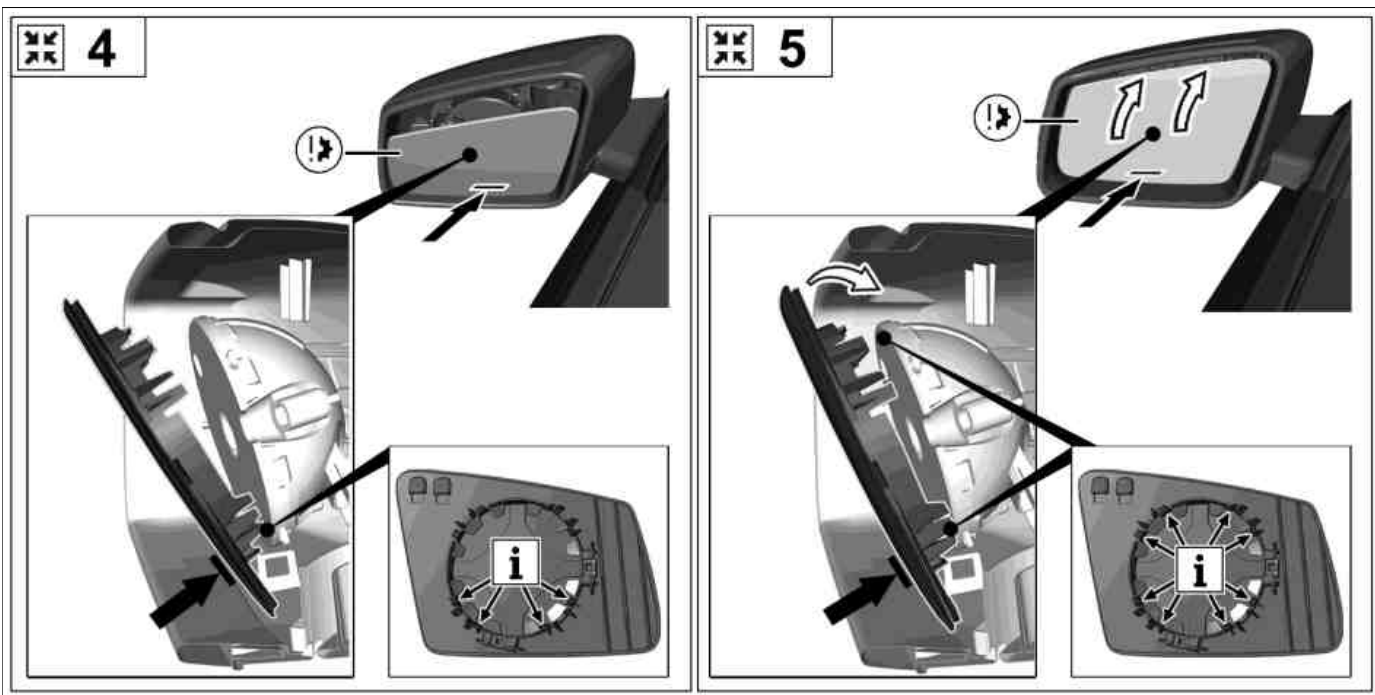




P88.70-2613-08



P88.70-2614-08



P88.70-2615-09